



US Breaker Brand 3 Pole AC Contactors (Square D Telemecanique LC1 Replacements)

- ✓ Standards: UL508, CSA C22.2, IEC 60947, and CE Marked
- ✓ Integral DIN Rail & Base Mounting in One Compact Footprint
- ✓ Superior ISO Quality Proven by Multiple Global Standard Certifications

Contactors - NC1D (LC1D) 3P 600Vmax - 120Vac Control Coil (Included)



NC1 D09-D18

Size NC1-	US Breaker- Brand Part #	Telemecanique Cross Reference		Description	Auxiliaries		Price Each
		Direct	Similar ¹⁾		NO	NC	
D09	NC1D0910 - V120	LC1D0910 - G6	LC1D09 - G7	NC1-D09 Contactor 09A (Ith=20A) 3 Main + 1NO Aux	1	0	\$12.98
	NC1D0901 - V120	LC1D0901 - G6	LC1D09 - G7	NC1-D09 Contactor 09A (Ith=20A) 3 Main + 1NC Aux	0	1	\$12.98
D12	NC1D1210 - V120	LC1D1210 - G6	LC1D12 - G7	NC1-D12 Contactor 12A (Ith=20A) 3 Main + 1NO Aux	1	0	\$15.99
	NC1D1201 - V120	LC1D1201 - G6	LC1D12 - G7	NC1-D12 Contactor 12A (Ith=20A) 3 Main + 1NC Aux	0	1	\$15.99
D18	NC1D1810 - V120	LC1D1810 - G6	LC1D18 - G7	NC1-D18 Contactor 18A (Ith=32A) 3 Main + 1NO Aux	1	0	\$20.65
	NC1D1801 - V120	LC1D1801 - G6	LC1D18 - G7	NC1-D18 Contactor 18A (Ith=32A) 3 Main + 1NC Aux	0	1	\$20.65
D25	NC1D2510 - V120	LC1D2510 - G6	LC1D25 - G7	NC1-D25 Contactor 25A (Ith=40A) 3 Main + 1NO Aux	1	0	\$24.94
	NC1D2501 - V120	LC1D2501 - G6	LC1D25 - G7	NC1-D25 Contactor 25A (Ith=40A) 3 Main + 1NC Aux	0	1	\$24.94
D32	NC1D3210 - V120	LC1D3210 - G6	LC1D32 - G7	NC1-D32 Contactor 32A (Ith=50A) 3 Main + 1NO Aux	1	0	\$33.96
D40	NC1D4011 - V120	LC1D4011 - G6	LC1D40 - G7	NC1-D40 Contactor 40A (Ith=50A) 3 Main + 1NO/1NC	1	1	\$41.88
D50	NC1D5011 - V120	LC1D5011 - G6	LC1D50 - G7	NC1-D50 Contactor 50A (Ith=60A) 3 Main + 1NO/1NC	1	1	\$52.69
D65	NC1D6511 - V120	LC1D6511 - G6	LC1D65 - G7	NC1-D65 Contactor 65A (Ith=80A) 3 Main + 1NO/1NC	1	1	\$59.96
D80	NC1D8011 - V120	LC1D8011 - G6	LC1D80 - G7	NC1-D80 Contactor 80A (Ith=95A) 3 Main + 1NO/1NC	1	1	\$68.49
D95	NC1D9511 - V120	LC1D9511 - G6	LC1D95 - G7	NC1-D95 Contactor 95A (Ith=95A) 3 Main + 1NO/1NC	1	1	\$78.88



NC1 D25-D32

Contactors - NC1D (LC1D) 3P 600Vmax - 24Vac Control Coil (Included)

Size NC1-	US Breaker- Brand Part #	Telemecanique Cross Reference		Description	Auxiliaries		Price Each
		Direct	Similar ¹⁾		NO	NC	
D09	NC1D0910 - V24	LC1D0910 - B7	LC1D09 - B7	NC1-D09 Contactor 09A (Ith=20A) 3 Main + 1NO Aux	1	0	\$12.98
	NC1D0901 - V24	LC1D0901 - B7	LC1D09 - B7	NC1-D09 Contactor 09A (Ith=20A) 3 Main + 1NC Aux	0	1	\$12.98
D12	NC1D1210 - V24	LC1D1210 - B7	LC1D12 - B7	NC1-D12 Contactor 12A (Ith=20A) 3 Main + 1NO Aux	1	0	\$15.99
	NC1D1201 - V24	LC1D1201 - B7	LC1D12 - B7	NC1-D12 Contactor 12A (Ith=20A) 3 Main + 1NC Aux	0	1	\$15.99
D18	NC1D1810 - V24	LC1D1810 - B7	LC1D18 - B7	NC1-D18 Contactor 18A (Ith=32A) 3 Main + 1NO Aux	1	0	\$20.65
	NC1D1801 - V24	LC1D1801 - B7	LC1D18 - B7	NC1-D18 Contactor 18A (Ith=32A) 3 Main + 1NC Aux	0	1	\$20.65
D25	NC1D2510 - V24	LC1D2510 - B7	LC1D25 - B7	NC1-D25 Contactor 25A (Ith=40A) 3 Main + 1NO Aux	1	0	\$24.94
	NC1D2501 - V24	LC1D2501 - B7	LC1D25 - B7	NC1-D25 Contactor 25A (Ith=40A) 3 Main + 1NC Aux	0	1	\$24.94
D32	NC1D3210 - V24	LC1D3210 - B7	LC1D32 - B7	NC1-D32 Contactor 32A (Ith=50A) 3 Main + 1NO Aux	1	0	\$33.96
D40	NC1D4011 - V24	LC1D4011 - B7	LC1D40 - B7	NC1-D40 Contactor 40A (Ith=50A) 3 Main + 1NO/1NC	1	1	\$41.88
D50	NC1D5011 - V24	LC1D5011 - B7	LC1D50 - B7	NC1-D50 Contactor 50A (Ith=60A) 3 Main + 1NO/1NC	1	1	\$52.69
D65	NC1D6511 - V24	LC1D6511 - B7	LC1D65 - B7	NC1-D65 Contactor 65A (Ith=80A) 3 Main + 1NO/1NC	1	1	\$59.96
D80	NC1D8011 - V24	LC1D8011 - B7	LC1D80 - B7	NC1-D80 Contactor 80A (Ith=95A) 3 Main + 1NO/1NC	1	1	\$68.49
D95	NC1D9511 - V24	LC1D9511 - B7	LC1D95 - B7	NC1-D95 Contactor 95A (Ith=95A) 3 Main + 1NO/1NC	1	1	\$78.88



NC1 D40-D65

Contactors - NC1D (LC1D) 3P 600Vmax - 240Vac Control Coil (Included)

Size NC1-	US Breaker- Brand Part #	Telemecanique Cross Reference		Description	Auxiliaries		Price Each
		Direct	Similar ¹⁾		NO	NC	
D09	NC1D0910 - V240	LC1D0910 - U7	LC1D09 - U7	NC1-D09 Contactor 09A (Ith=20A) 3 Main + 1NO Aux	1	0	\$12.98
	NC1D0901 - V240	LC1D0901 - U7	LC1D09 - U7	NC1-D09 Contactor 09A (Ith=20A) 3 Main + 1NC Aux	0	1	\$12.98
D12	NC1D1210 - V240	LC1D1210 - U7	LC1D12 - U7	NC1-D12 Contactor 12A (Ith=20A) 3 Main + 1NO Aux	1	0	\$15.99
	NC1D1201 - V240	LC1D1201 - U7	LC1D12 - U7	NC1-D12 Contactor 12A (Ith=20A) 3 Main + 1NC Aux	0	1	\$15.99
D18	NC1D1810 - V240	LC1D1810 - U7	LC1D18 - U7	NC1-D18 Contactor 18A (Ith=32A) 3 Main + 1NO Aux	1	0	\$20.65
	NC1D1801 - V240	LC1D1801 - U7	LC1D18 - U7	NC1-D18 Contactor 18A (Ith=32A) 3 Main + 1NC Aux	0	1	\$20.65
D25	NC1D2510 - V240	LC1D2510 - U7	LC1D25 - U7	NC1-D25 Contactor 25A (Ith=40A) 3 Main + 1NO Aux	1	0	\$24.94
	NC1D2501 - V240	LC1D2501 - U7	LC1D25 - U7	NC1-D25 Contactor 25A (Ith=40A) 3 Main + 1NC Aux	0	1	\$24.94
D32	NC1D3210 - V240	LC1D3210 - U7	LC1D32 - U7	NC1-D32 Contactor 32A (Ith=50A) 3 Main + 1NO Aux	1	0	\$33.96
D40	NC1D4011 - V240	LC1D4011 - U7	LC1D40 - U7	NC1-D40 Contactor 40A (Ith=50A) 3 Main + 1NO/1NC	1	1	\$41.88
D50	NC1D5011 - V240	LC1D5011 - U7	LC1D50 - U7	NC1-D50 Contactor 50A (Ith=60A) 3 Main + 1NO/1NC	1	1	\$52.69
D65	NC1D6511 - V240	LC1D6511 - U7	LC1D65 - U7	NC1-D65 Contactor 65A (Ith=80A) 3 Main + 1NO/1NC	1	1	\$59.96
D80	NC1D8011 - V240	LC1D8011 - U7	LC1D80 - U7	NC1-D80 Contactor 80A (Ith=95A) 3 Main + 1NO/1NC	1	1	\$68.49
D95	NC1D9511 - V240	LC1D9511 - U7	LC1D95 - U7	NC1-D95 Contactor 95A (Ith=95A) 3 Main + 1NO/1NC	1	1	\$78.88



NC1 D80-D95



US Breaker Brand 4 Pole AC Contactors (Square D Telemecanique LC1 Replacements)

Contactors - NC1D (LC1D) 4P 600Vmax - 120Vac Control Coil (Included)



NC1D1208

Size NC1-	US Breaker- Brand Part #	Telemecanique Cross Reference		Description	Main Contacts		Price Each
		Direct	Similar		NO	NC	
D12	NC1D1204 - V120	LC1D12004 - G6	LC1DT20 - G7	NC1-D12 Contactor 12A (Ith=20A) 4 NO Main Contacts	4	0	\$24.91
	NC1D1208 - V120	LC1D12008 - G6	LC1D098 - G7	NC1-D12 Contactor 12A (Ith=20A) 2NO/2NC Main Contacts	2	2	\$24.91
D25	NC1D2504 - V120	LC1D25004 - G6	LC1DT40 - G7	NC1-D25 Contactor 25A (Ith=40A) 4 NO Main Contacts	4	0	\$42.90
	NC1D2508 - V120	LC1D25008 - G6	LC1D258 - G7	NC1-D25 Contactor 25A (Ith=40A) 2NO/2NC Main Contacts	2	2	\$42.90
D65	NC1D6504 - V120	LC1D65004 - G6	LC1D65004 - G7	NC1-D65 Contactor 65A (Ith=80A) 4 NO Main Contacts	4	0	\$89.00
	NC1D6508 - V120	LC1D65008 - G6	LC1D65008 - G7	NC1-D65 Contactor 65A (Ith=80A) 2NO/2NC Main Contacts	2	2	\$89.00
D95	NC1D9504 - V120	LC1D80004 - G6	LC1D80004 - G7	NC1-D95 Contactor 65A (Ith=95A) 4 NO Main Contacts	4	0	\$109.00
	NC1D9508 - V120	LC1D80008 - G6	LC1D80008 - G7	NC1-D95 Contactor 95A (Ith=95A) 2NO/2NC Main Contacts	2	2	\$109.00

Contactors - NC1D (LC1D) 4P 600Vmax - 24Vac Control Coil (Included)



NC1D2504

Size NC1-	US Breaker- Brand Part #	Telemecanique Cross Reference		Description	Main Contacts		Price Each
		Direct	Similar		NO	NC	
D12	NC1D1204 - V24	LC1D12004 - B7	LC1DT20 - B7	NC1-D12 Contactor 12A (Ith=20A) 4 NO Main Contacts	4	0	\$24.91
	NC1D1208 - V24	LC1D12008 - B7	LC1D098 - B7	NC1-D12 Contactor 12A (Ith=20A) 2NO/2NC Main Contacts	2	2	\$24.91
D25	NC1D2504 - V24	LC1D25004 - B7	LC1DT40 - B7	NC1-D25 Contactor 25A (Ith=40A) 4 NO Main Contacts	4	0	\$42.90
	NC1D2508 - V24	LC1D25008 - B7	LC1D258 - B7	NC1-D25 Contactor 25A (Ith=40A) 2NO/2NC Main Contacts	2	2	\$42.90
D65	NC1D6504 - V24	LC1D65004 - B7	LC1D65004 - B7	NC1-D65 Contactor 65A (Ith=80A) 4 NO Main Contacts	4	0	\$89.00
	NC1D6508 - V24	LC1D65008 - B7	LC1D65008 - B7	NC1-D65 Contactor 65A (Ith=80A) 2NO/2NC Main Contacts	2	2	\$89.00
D95	NC1D9504 - V24	LC1D80004 - B7	LC1D80004 - B7	NC1-D95 Contactor 65A (Ith=95A) 4 NO Main Contacts	4	0	\$109.00
	NC1D9508 - V24	LC1D80008 - B7	LC1D80008 - B7	NC1-D95 Contactor 95A (Ith=95A) 2NO/2NC Main Contacts	2	2	\$109.00

Contactors - NC1D (LC1D) 4P 600Vmax - 240Vac Control Coil (Included)



NC1D6508

Size NC1-	US Breaker- Brand Part #	Telemecanique Cross Reference		Description	Main Contacts		Price Each
		Direct	Similar		NO	NC	
D12	NC1D1204 - V240	LC1D12004 - U6	LC1DT20 - U7	NC1-D12 Contactor 12A (Ith=20A) 4 NO Main Contacts	4	0	\$24.91
	NC1D1208 - V240	LC1D12008 - U6	LC1D098 - U7	NC1-D12 Contactor 12A (Ith=20A) 2NO/2NC Main Contacts	2	2	\$24.91
D25	NC1D2504 - V240	LC1D25004 - U6	LC1DT40 - U7	NC1-D25 Contactor 25A (Ith=40A) 4 NO Main Contacts	4	0	\$42.90
	NC1D2508 - V240	LC1D25008 - U6	LC1D258 - U7	NC1-D25 Contactor 25A (Ith=40A) 2NO/2NC Main Contacts	2	2	\$42.90
D65	NC1D6504 - V240	LC1D65004 - U6	LC1D65004 - U7	NC1-D65 Contactor 65A (Ith=80A) 4 NO Main Contacts	4	0	\$89.00
	NC1D6508 - V240	LC1D65008 - U6	LC1D65008 - U7	NC1-D65 Contactor 65A (Ith=80A) 2NO/2NC Main Contacts	2	2	\$89.00
D95	NC1D9504 - V240	LC1D80004 - U6	LC1D80004 - U7	NC1-D95 Contactor 65A (Ith=95A) 4 NO Main Contacts	4	0	\$109.00
	NC1D9508 - V240	LC1D80008 - U6	LC1D80008 - U7	NC1-D95 Contactor 95A (Ith=95A) 2NO/2NC Main Contacts	2	2	\$109.00

US Breaker Brand 3 Pole 115 - 265A Contactors

Contactors - Series F (LC1F) 600V - 120Vac Control Coil (Included)



NC1D9508

Size Ref	US Breaker- Brand Part #	Telemecanique Cross Ref.		Description	Auxiliaries		Price Each
		Direct	Similar		NO	NC	
F115	F115 P3 V120	LC1F115 - G6		3 Pole Contactor 115A (Ith=200A) with 120Vac Coil	-	-	\$153.00
F150	F150 P3 V120	LC1F150 - G6		3 Pole Contactor 150A (Ith=200A) with 120Vac Coil	-	-	\$219.00
F185	F185 P3 V120	LC1F185 - G6		3 Pole Contactor 185A (Ith=275A) with 120Vac Coil	-	-	\$298.00
F265	F265 P3 V120	LC1F265 - G6		3 Pole Contactor 265A (Ith=315A) with 120Vac Coil	-	-	\$367.00

Contactors - Series F (LC1F) 600V - 240Vac Control Coil (Included)



F185

Size Ref	US Breaker- Brand Part #	Telemecanique Cross Ref.		Description	Auxiliaries		Price Each
		Direct	Similar		NO	NC	
F115	F115 P3 V240	LC1F115 - U6		3 Pole Contactor 115A (Ith=200A) with 240Vac Coil	-	-	\$153.00
F150	F150 P3 V240	LC1F150 - U6		3 Pole Contactor 150A (Ith=200A) with 240Vac Coil	-	-	\$219.00
F185	F185 P3 V240	LC1F185 - U6		3 Pole Contactor 185A (Ith=275A) with 240Vac Coil	-	-	\$298.00
F265	F265 P3 V240	LC1F265 - U6		3 Pole Contactor 265A (Ith=315A) with 240Vac Coil	-	-	\$367.00

- Please contact US Breaker for other NC1D & Series F family contactor coil voltages.
 - Telemecanique part numbers are provided to assist in product selection. Proper engineering evaluation is required for each customer application.
- 1) US Breaker 3 pole D09 - D32 contactors include either a 1NO or 1NC aux contact in the 4th pole. Add an NC-F4-11 if an additional front auxiliary contact is required.



NC Family Contactor Accessories (Square D Telemecanique Replacements)

Auxiliary Contacts for NC 9A to 265A Contactors



NCF411



NCF422

US Breaker- Brand Part #	Telemecanique Cross Reference		Description	Price Each
	Direct	Similar		
NC F4 20	LA1DN 20	LADN 20	2 NO Front Mount Aux (Ui=690V, Ith=10A, AC15=380VA) for all NC Contactors 9A - 265A	\$7.00
NC F4 11	LA1DN 11	LADN 11	1NO/1NC Front Mount Aux (Ui=690V, Ith=10A, AC15=380VA) for all NC Contactors 9A - 265A	\$7.00
NC F4 02	LA1DN 02	LADN 02	2NC Front Mount Aux (Ui=690V, Ith=10A, AC15=380VA) for all NC Contactors 9A - 265A	\$7.00
NC F4 40	LA1DN 40	LADN 40	4NO Front Mount Aux (Ui=690V, Ith=10A, AC15=380VA) for all NC Contactors 9A - 265A	\$11.50
NC F4 31	LA1DN 31	LADN 31	3NO/1NC Front Mount Aux (Ui=690V, Ith=10A, AC15=380VA) for all NC Contactors 9A - 265A	\$11.50
NC F4 04	LA1DN 04	LADN 04	4NC Front Mount Aux (Ui=690V, Ith=10A, AC15=380VA) for all NC Contactors 9A - 265A	\$11.50
NC F4 22	LA1DN 22	LADN 22	2NO/2NC Front Mount Aux (Ui=690V, Ith=10A, AC15=380VA) for all NC Contactors 9A - 265A	\$11.50
NCF1 11C	LA8DN 11	LA8DN 11	1NO/1NC Side Mount Aux (Ui=690V, Ith=10A, AC15=380VA) for NC1 D09 to D32 Contactors	\$9.90

Coil Surge Suppressors for NC 9A to 32A Contactors



NCF111C

US Breaker- Brand Part #	Telemecanique Cross Reference		Description	Price Each
	Direct	Similar		
NCSR2A120240	-	-	Surge Suppressor for NC1 D09 to D32 Contactor Coils from 100V - 250Vac	\$9.98
NCSR2A24	-	-	Surge Suppressor for NC1 D09 to D32 Contactor Coils from 24V - 48Vac	\$9.98

Front Mounted Time Delay Blocks for NC 9A - 265A Contactors



NCSR2A

US Breaker- Brand Part #	Telemecanique Cross Reference		Description	Price Each
	Direct	Similar		
NC F5 T2	LA2DT2	LADT2	NC 9A to 265A Time Delay Block 0.1 - 30s Making Time Delay with 1NO/1NC Contacts	\$26.00
NC F5 D2	LA3DR2	LADR2	NC 9A to 265A Time Delay Block 0.1 - 30s Breaking Time Delay with 1NO/1NC Contacts	\$26.00

Mechanical Interlocks for Reversing Application of NC Contactors



NCF5



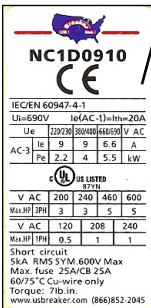
NCF5

US Breaker- Brand Part #	Telemecanique Cross Reference		Description	Price Each
	Direct	Similar		
NC MI 09 32A	LA9D9978	LAD9R1	NC1-D Mechanical Interlock for Reversing Application Sizes D09, D12, D18, D25, D32	\$8.95
NC MI 40 65A	LA9D50978	LA9D50978	NC1-D Mechanical Interlock for Reversing Application Sizes D40, D50, D65	\$9.95
NC MI 80 95A	LA9D80978	-	NC1-D Mechanical Interlock for Reversing Application Sizes D80, D95	\$10.95

* Mechanical interlocks are available for series F115 to F265 contactors. Please contact us for details.

NC1D Contactor Technical Data

NC1D Type		NC1-D09	NC1-D12	NC1-D18	NC1-D25	NC1-D32	NC1-D40	NC1-D50	NC1-D65	NC1-D80	NC1-D95
Thermal Current Ith (AC-1 IEC) Amps	660V	20	20	32	40	50	50	60	80	95	95
Inductive Current (AC-3 IEC) Amps	380/400V	9	12	18	25	32	40	50	65	80	95
UL Power Rating 3 Phase (Hp)	240V	3	5	7.5	10	15	20	20	25	30	30
	460V	5	7.5	10	15	20	25	30	40	40	50
	600V	5	7.5	10	15	20	25	30	40	40	50
UL Power Rating 1 Phase (Hp)	120V	0.5	0.75	1	2	3	3	5	5	7.5	7.5
	240V	1	2	3	5	5	7.5	10	15	20	20
IEC Power Rating (KW)	380/400V	4	5.5	7.5	11	15	18.5	22	30	37	45
Operations (AC-3)	Elec.	1,000,000	1,000,000	1,000,000	1,000,000	800,000	800,000	800,000	800,000	600,000	600,000
	Mech.	10,000,000	10,000,000	10,000,000	10,000,000	8,000,000	8,000,000	8,000,000	8,000,000	6,000,000	6,000,000



NC1D Contactor Coil Data

NC1D Type		NC1-D09	NC1-D12	NC1-D18	NC1-D25	NC1-D32	NC1-D40	NC1-D50	NC1-D65	NC1-D80	NC1-D95
Coil Power	Start-up (VA)	70	70	70	110	110	200	200	200	200	200
	Holding (VA)	8	8	8	11	11	20	20	20	20	20
	Power (W)	1.8 - 2.7	1.8 - 2.7	1.8 - 2.7	3 - 4	3 - 4	6 - 10	6 - 10	6 - 10	6 - 10	6 - 10
Operation Range of Rated Voltage	Pick-up Voltage	85% - 110%									
	Drop-out Voltage	20% - 75%									
Coil Identification	AC Volts	24V	48V	110V	120V	208V	220V	230V	240V	440V	480V
	Code	B7	E7	F7	G6	L6	M7	P7	U6	R5	T6





F115 - F265 Contactor Technical Data

Series F Type		F115	F150	F185	F265
Thermal Current Ith (AC-1) Amps	660V	200	200	275	315
Inductive Current IEC (AC-3) Amps	400V	115	150	185	265
UL Power Rating (Hp)	240V	40	50	60	100
	460V	75	100	100	150
	600V	75	100	100	150
IEC Power Rating (KW)	230V	33	45	55	80
	400V	55	75	90	132
Operations	Elec.	1,200,000	1,200,000	1,000,000	800,000
	Mech.	10,000,000	10,000,000	6,000,000	6,000,000

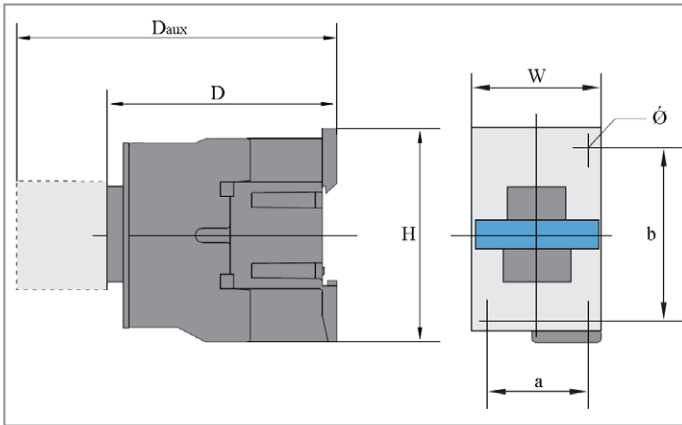


Series F Contactor Coil Data

Series F Type		F115	F150	F185	F265
Coil Power	Start-up (VA)	660	660	966	840
	Holding (VA)	54	54	66	12
Operation Range of Rated Voltage	Pick-up Voltage	85% - 110%			
	Drop-out Voltage	20% - 75%			

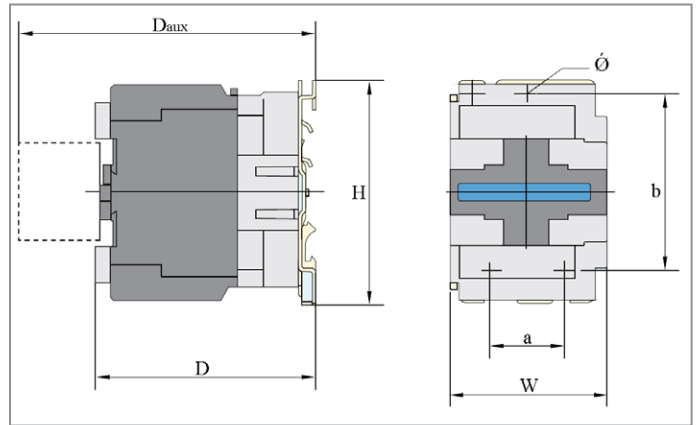
NC1D Contactor Dimensions (in.)

NC1-D09 to NC1-D32



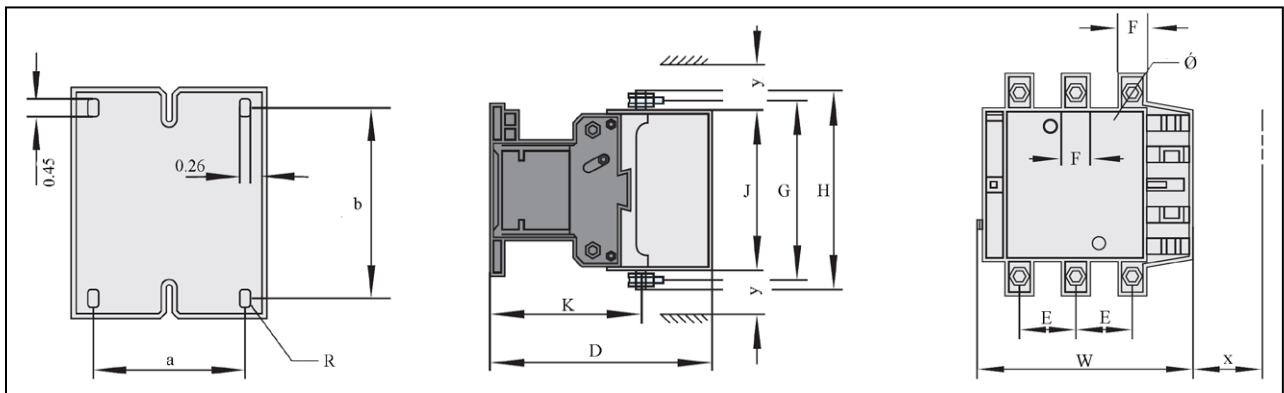
NC1D Dim (in)	H	W	D	Daux	a	b	Ø
NC1 D09 to D12	3.0	1.9	3.2	4.7	1.3-1.4	2.0-2.4	0.18
NC1 D18	3.0	1.9	3.4	4.9	1.3-1.4	2.0-2.4	0.18
NC1 D25	3.4	2.2	3.7	5.3	1.6	1.9	0.18
NC1 D32	3.4	2.2	3.9	5.5	1.6	1.9	0.18

NC1-D40 to NC1-D95



NC1D Dim (in)	H	W	D	Daux	a	b	Ø
NC1 D4011 to D6511	5.1	3.0	4.6	6.1	1.6	3.9	0.26
NC1 D6504 & D6508	5.1	3.3	4.6	6.1	1.6	3.9	0.26
NC1 D8011 to D9511	5.1	3.4	5.0	6.5	1.6	3.9-4.3	0.26
NC1 D9504 & D9508	5.1	3.8	5.0	6.5	1.6	3.9-4.3	0.26

Series F Contactor Dimensions



3P Dim (in)	H	W	D	E	F	G	J	K	a	b	x	y <500V	y >500V	Ø - Bolt	Torque
F115	6.4	6.6	6.8	1.5	0.8	5.8	4.9	4.2	3.1	4.3-4.7	5.2	0.4	0.6	M6	3 N•M
F150	6.7	6.6	6.8	1.6	0.8	5.9	4.9	4.2	3.1	4.3-4.7	5.2	0.4	0.6	M8	6 N•M
F185	6.9	6.7	7.2	1.6	0.8	6.1	5.0	4.5	3.1	4.3-4.7	5.2	0.4	0.6	M8	6 N•M
F265	8.0	8.0	8.5	1.9	1.0	7.0	5.8	5.6	3.8	4.3-4.7	5.8	0.4	0.6	M10	10 N•M

- Telemecanique part numbers are provided to assist in product selection. Proper engineering evaluation is required for each customer application.
- NC accessories are intended and UL listed for use with their associated NC1D & series F contactors.



Application & Wiring References

Contactors & Overload Relays

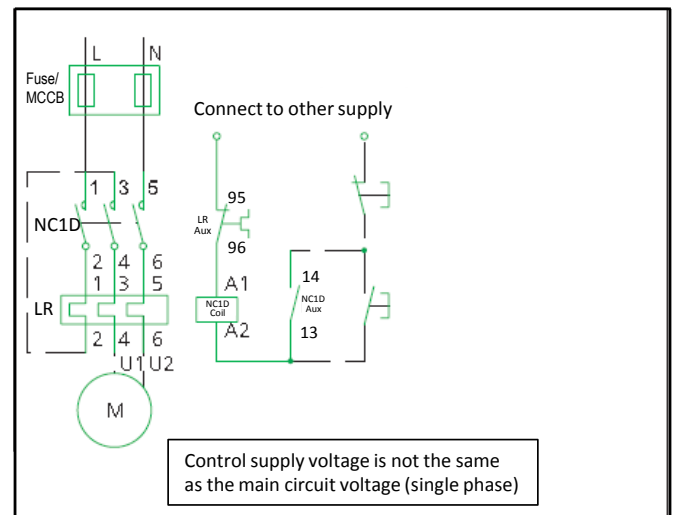
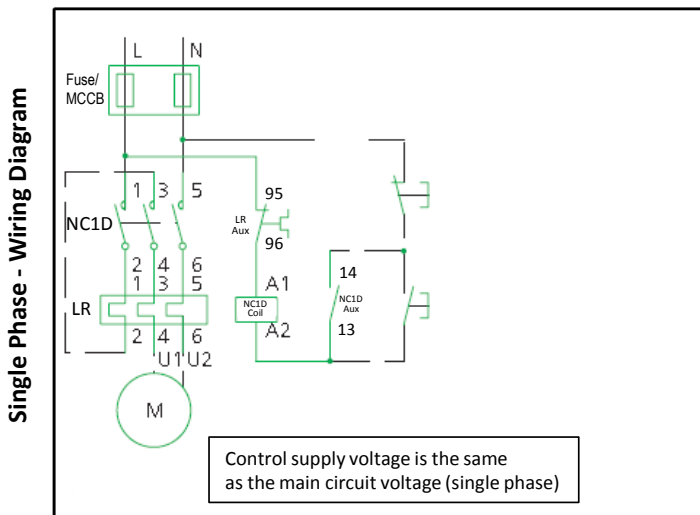
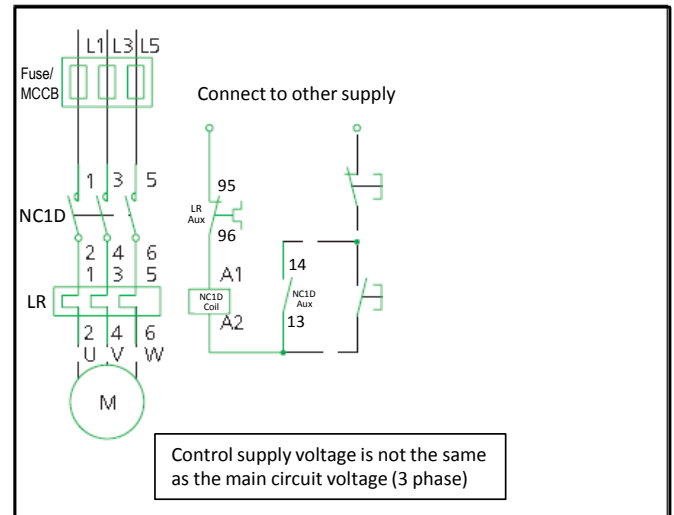
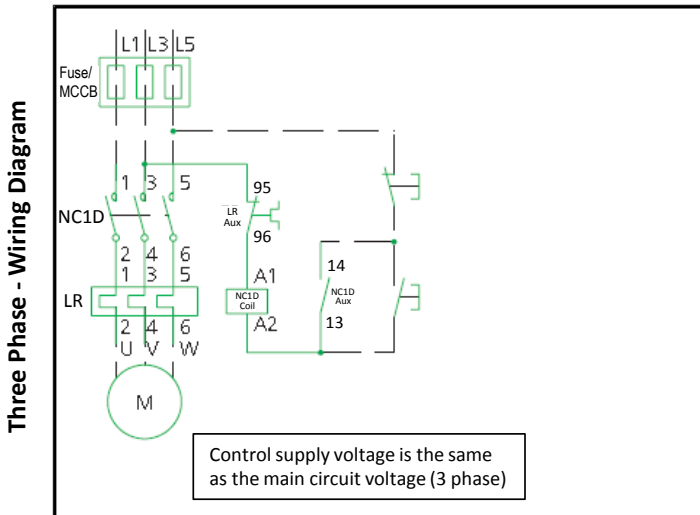


Typical Hp to FLA Conversion Chart

Horse Power (Hp)	3/4 Hp	1 Hp	2 Hp	3 Hp	5 Hp	7.5 Hp	10 Hp	15 Hp	20 Hp	25 Hp	30 Hp	40 Hp	50 Hp	60 Hp	75 Hp	100 Hp	150 Hp	
Full Load Amps 3 Phase (A) *	240V	2.8	3.6	6.8	9.6	15.2	22	28	42	54	68	80	104	130	154	192	248	360
	460V	1.4	1.8	3.4	4.8	7.6	11	14	21	27	34	40	52	65	77	96	124	180
Full Load Amps 1 Phase (A)	120V	13.8	16	24	34	56	80	100	-	-	-	-	-	-	-	-	-	-
	240V	6.9	8	12	17	28	40	50	-	-	-	-	-	-	-	-	-	-

* Values based on NEC Table 430-150 (1999) for induction type squirrel cage & wound rotor motors. Adjust for low speed, high torque and multispeed motors.

Wiring Diagram for Telemecanique LC1 Contactor Replacements by US Breaker





US Breaker Contactor Cross References



NC1 D09-D18



NC1 D25-D32



NC1 D40-D65



NC1 D80-D95



F185

3P Contactors - Allen Bradley 100, Cutler Hammer CE & General Electric CL

US Breaker Brand Part #	Price Each	Aux		Hp (3-phase)		Dim (in) (H x W x D)	Type	Contactor Cross Reference (Similar Designs)			
		NO	NC	240V	460V			Allen Bradley 100-C	Allen Bradley 100-A	Cutler Hammer CE	General Electric CL
NC1D0910 - V__	\$12.48	1	0	3	5	3.0 x 1.9 x 3.2	DIN Rail or Base Mount	100-C09*10	100-A09ND3 ²⁾	CE15ANS3	CL00 A310T
NC1D0901 - V__	\$12.48	0	1	3	5	3.0 x 1.9 x 3.2		100-C09*01	-	-	CL00 A301T
NC1D1210 - V__	\$16.19	1	0	5	7.5	3.0 x 1.9 x 3.2		100-C12*10	100-A12ND3 ²⁾	CE15GNS3 / CE15CNS3	CL01 A310T
NC1D1201 - V__	\$16.19	0	1	5	7.5	3.0 x 1.9 x 3.2		100-C12*01	-	-	CL01 A301T
NC1D1810 - V__	\$20.65	1	0	7.5	10	3.0 x 1.9 x 3.4		100-C16*10	100-A18ND3 ²⁾	CE15DNS3	CL02 A310T
NC1D1801 - V__	\$20.65	0	1	7.5	10	3.0 x 1.9 x 3.4		100-C16*01	-	-	CL02 A301T
NC1D2510 - V__	\$24.94	1	0	10	15	3.4 x 2.2 x 3.7		100-C23*10	100-A24ND3 ²⁾	CE15ENS3	CL25 A310T
NC1D2501 - V__	\$24.94	0	1	10	15	3.4 x 2.2 x 3.7		100-C23*01	-	-	CL25 A301T
NC1D3210 - V__	\$33.96	1	0	15	20	3.4 x 2.2 x 3.9		100-C30*10	100-A30N*3	CE15FNS3	CL04 A310M
NC1D4011 - V__	\$41.88	1	1	20	25	5.1 x 3.0 x 4.6		100-C37*00 (or *10)	100-A38N*3	CE15GNS3	CL45 A310M
NC1D5011 - V__	\$52.69	1	1	20	30	5.1 x 3.0 x 4.6		100-C43*00 (or *10)	100-A45N*3	CE15HNS3	CL06 A311M
NC1D6511 - V__	\$59.96	1	1	25	40	5.1 x 3.0 x 4.6		100-C60*00 (or *10)	100-A60N*3	CE15JNS3	CL07 A311M
NC1D8011 - V__	\$68.49	1	1	30	40	5.1 x 3.4 x 5.0		100-C72*00 (or *10)	100-A75N*3	CE15KNS3	CL08 A311M
NC1D9511 - V__	\$78.88	1	1	30	50	5.1 x 3.4 x 5.0	100-C85*00 (or *10)	-	CE15LN3	CL09 A311M	
F115 P3 V__	\$139.00	-	-	40	75	6.4 x 6.6 x 6.8	Base Mount	100-D115	100-B110N*3 ¹⁾	CE15MN3 ^{1,3)}	-
F150 P3 V__	\$219.00	-	-	50	100	6.7 x 6.6 x 6.8		100-D140	-	CE15NN3 ^{1,3)}	CK75CE311 ¹⁾
F185 P3 V__	\$298.00	-	-	60	100	6.9 x 6.7 x 7.2		-100-D180	100-B180N*3 ¹⁾	CE15PN3 ^{1,3)}	CK08CE311 ¹⁾
F265 P3 V__	\$349.00	-	-	100	150	8.0 x 8.0 x 8.5		100-D210 or 100-D250	100-B250N*3 ¹⁾	CE15RN3 ^{1,3)}	CK09BE311 ¹⁾

___ Insert the AC control coil voltage of 24, 120 or 240 (example: NC1D0910-V¹²⁰ replaces Allen Bradley's 100-C09*10 with a 120V control coil)

3P Contactors - Telemecanique LC1 & Siemens 3TF

US Breaker Brand Part #	Price Each	Aux		Hp (3-phase)		Dim (in) (H x W x D)	Type	Contactor Cross Reference (Similar Designs)			
		NO	NC	240V	460V			Telemecanique LC1	Telemecanique LC1	Telemecanique LC1	Siemens 3TF
NC1D0910 - V__	\$12.48	1	0	3	5	3.0 x 1.9 x 3.2	DIN Rail or Base Mount	LC1D09 ¹⁾	LC1 D09 10	LC1-D093 . A65	3TF40 10-0A
NC1D0901 - V__	\$12.48	0	1	3	5	3.0 x 1.9 x 3.2		-	LC1 D09 01	LC1-D099 . A65	3TF40 01-0A
NC1D1210 - V__	\$16.19	1	0	5	7.5	3.0 x 1.9 x 3.2		LC1D12 ¹⁾	LC1 D12 10	LC1-D123 . A65	3TF41 10-0A
NC1D1201 - V__	\$16.19	0	1	5	7.5	3.0 x 1.9 x 3.2		-	LC1 D12 01	LC1-D129 . A65	3TF41 01-0A
NC1D1810 - V__	\$20.65	1	0	7.5	10	3.0 x 1.9 x 3.4		LC1D18 ¹⁾	LC1 D18 10	LC1-D173 . A65	3TF42 10-0A
NC1D1801 - V__	\$20.65	0	1	7.5	10	3.0 x 1.9 x 3.4		-	LC1 D18 01	LC1-D179 . A65	3TF42 01-0A
NC1D2510 - V__	\$24.94	1	0	10	15	3.4 x 2.2 x 3.7		LC1D25 ¹⁾	LC1 D25 10	LC1-D253 . A65	3TF43 10-0A
NC1D2501 - V__	\$24.94	0	1	10	15	3.4 x 2.2 x 3.7		-	LC1 D25 01	LC1-D259 . A65	3TF43 01-0A
NC1D3210 - V__	\$33.96	1	0	15	20	3.4 x 2.2 x 3.9		LC1D32 ¹⁾	LC1 D32 10	LC1-D323 . A65	3TF44 11-0A ¹⁾
NC1D4011 - V__	\$41.88	1	1	20	25	5.1 x 3.0 x 4.6		LC1 D40	LC1 D4011	LC1-D403	3TF45 11-0A
NC1D5011 - V__	\$52.69	1	1	20	30	5.1 x 3.0 x 4.6		LC1 D50	LC1 D5011	LC1-D503	3TF46 11-0A
NC1D6511 - V__	\$59.96	1	1	25	40	5.1 x 3.0 x 4.6		LC1 D65	LC1 D6511	LC1-D633	3TF47 11-0A
NC1D8011 - V__	\$68.49	1	1	30	40	5.1 x 3.4 x 5.0		LC1 D80	LC1 D8011	LC1-D803	-
NC1D9511 - V__	\$78.88	1	1	30	50	5.1 x 3.4 x 5.0	LC1 D95	LC1 D9511	-	3TF48 11-0A	
F115 P3 V__	\$139.00	-	-	40	75	6.4 x 6.6 x 6.8	Base Mount	LC1F115	LC1F115	LC1FF43	3TF50 ^{1,3)}
F150 P3 V__	\$219.00	-	-	50	100	6.7 x 6.6 x 6.8		LC1F150	LC1F150	-	3TF51 ¹⁾
F185 P3 V__	\$298.00	-	-	60	100	6.9 x 6.7 x 7.2		LC1F185	LC1F185	LC1FG43	3TF52 ¹⁾
F265 P3 V__	\$349.00	-	-	100	150	8.0 x 8.0 x 8.5		LC1F265	LC1F265	LC1FH43	3TF53 ¹⁾

___ Insert the AC control coil voltage of 24, 120 or 240 (example: NC1D0910-V¹²⁰ replaces Telemecanique's LC1D0910 with a 120V control coil)

1) Add an additional NC-F4-11 for cross references to the Telemecanique LC1 D09 thru LC1 D32 or Siemens 3TF44 11-0A if the Normally Closed auxiliary contact is used.
 Add an additional NC-F4-11 or NC-F4-22 if auxiliary contacts are required for cross references to US Breaker's F115 thru F265 contactors.
 2) Allen Bradley 100-A09 thru -A24 include a fully rated 4th pole. US Breaker's cross ref includes a standard auxiliary rated contact. See the NC1D1204 or NC1D2504 for a fully rated 4th pole.
 3) US Breaker F115 - F265 contactors are supplied with bus extensions (without lugs) as standard.