



New Telemecanique LC1-D65-11 (LC1D6511) Contactor Replacement - Data Sheet for US Breaker Brand Contactors with the Trusted UL Certification!



NC1 D65 11

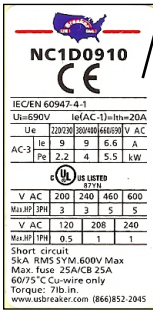
- ✓ Standards: UL508, CSA C22.2, IEC 60947, and CE Marked
- ✓ Integral DIN Rail & Base Mounting in One Compact Footprint
- ✓ Superior ISO Quality Proven by Multiple Global Standard Certifications

Telemecanique LC1D6511 Contactor Replacement Cross Reference

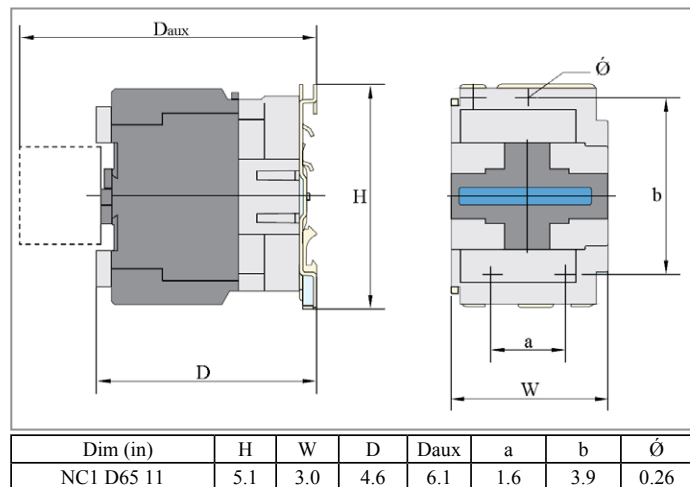
| US Breaker-Brand Part # | Telemecanique Contactor Cross Ref | | Control Coil Voltage | Auxiliaries | | Price Each |
|-------------------------|-----------------------------------|-----------------|----------------------|-------------|----|------------|
| | Direct | Direct | | NO | NC | |
| NC1 D65 11 - V24 | LC1D6511 - B7 | LC1-D65-11 - B7 | 24V B7 | 1 | 1 | \$59.96 |
| NC1 D65 11 - V120 | LC1D6511 - G6 | LC1-D65-11 - G6 | 120V G6 | 1 | 1 | \$59.96 |
| NC1 D65 11 - V240 | LC1D6511 - U6 | LC1-D65-11 - U6 | 240V U6 | 1 | 1 | \$59.96 |

NC1 D65 Contactor Technical Data

| NCID Type | | NC1-D65 |
|--|-------------------|-----------|
| Thermal Current I _{th} (AC-1 IEC) Amps | 660V | 80 |
| Inductive Current (AC-3 IEC) Amps | 240V | 25 |
| | 460V | 40 |
| | 600V | 40 |
| UL Power Rating 3 Phase (Hp) | 120V | 5 |
| | 240V | 15 |
| UL Power Rating 1 Phase (Hp) | 380/400V | 30 |
| | Elec. | 800,000 |
| IEC Power Rating (KW) | Mech. | 8,000,000 |
| | Operations (AC-3) | |



NC1 D65 Contactor Dimensions (in.)



NC1 D65 Contactor Coil Data

| NCID Type | | NC1-D65 |
|-------------------------------------|------------------|------------|
| Coil Power | Start-up (VA) | 200 |
| | Holding (VA) | 20 |
| Operation Range of Rated Voltage | Pick-up Voltage | 85% - 100% |
| | Drop-out Voltage | 20% - 75% |

Accessories for NC1 D65 11 Contactors



Auxiliary Contacts

| US Breaker-Part # | Telemecanique Cross Ref |
|-------------------|-------------------------|
| NC F4 20 | LA1DN 20 |
| NC F4 11 | LA1DN 11 |
| NC F4 02 | LA1DN 02 |
| NC F4 40 | LA1DN 40 |
| NC F4 31 | LA1DN 31 |
| NC F4 04 | LA1DN 04 |
| NC F4 22 | LA1DN 22 |
| NCF1 11C | LA8DN 11 |

Time Delay Blocks

| US Breaker-Part # | Telemecanique Cross Ref |
|-------------------|-------------------------|
| NC F5 T2 | LA2DT2 |
| NC F5 D2 | LA3DR2 |

Mechanical Interlocks

| US Breaker-Part # | Telemecanique Cross Ref |
|-------------------|-------------------------|
| NC MI 40 65a | LA9D50978 |

- Telemecanique part numbers are provided to assist in product selection. Proper engineering evaluation is required for each customer application.
- NC accessories are intended and UL listed for use with their associated NCID & series F NC2 contactors