

Enclosure For US Breaker NC1D 09 - D32 Contactors & Starters (Enclosure Only for On-site DOL Starter Assembly Program)



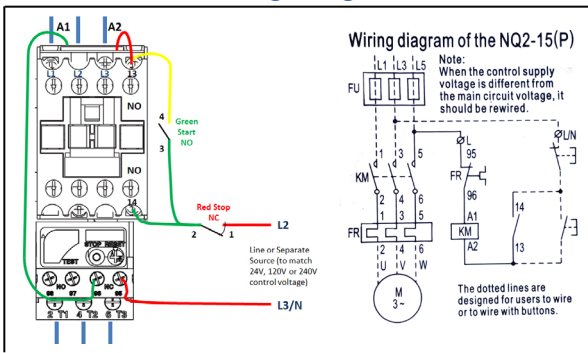
NC-NQ2-AS2-32

- ✓ CHNT UL Listed General Purpose Enclosure Ideally Suited for NC Contactors
- ✓ Sold as Enclosure Only for Field Customization and Inventory Reduction
- ✓ Kit Includes Enclosure with Start/Stop Pushbutton and Internal Wiring
- ✓ Build in DIN-Rail Enclosure Base for Easy Mounting

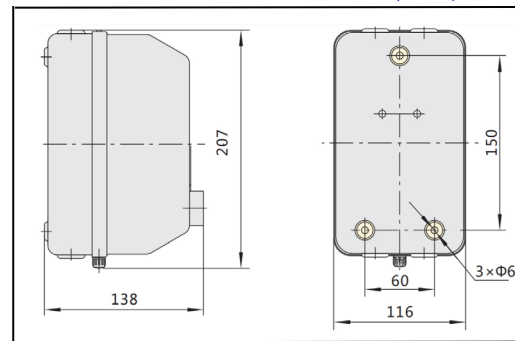
CHNT Part #	Description	Price
NC-NQ2-AS2-32	UL Metal Enclosure with On/Off Buttons for NC1D09 - NC1-D32 Contactors	\$29.94

• Enclosure is sold separately. Please select your contactor and overload relay for field installation.

Wiring Diagram



Enclosure Dimensions (mm)



Contactor & Overload Selection Tables



NC1 D09-D18



NC1 D25-D32

Size NC1-	US Breaker- Brand Part #	Telemecanique Cross Reference		Description	Auxiliaries		Price Each
		Direct	Similar ¹⁾		NO	NC	
D09	NC1D0910 - V	LC1D0910	LC1D09	NC1-D09 Contactor 09A (Ith=20A) 3 Main + 1NO Aux	1	0	\$17.48
	NC1D0901 - V	LC1D0901	LC1D09	NC1-D09 Contactor 09A (Ith=20A) 3 Main + 1NC Aux	0	1	\$17.48
D12	NC1D1210 - V	LC1D1210	LC1D12	NC1-D12 Contactor 12A (Ith=20A) 3 Main + 1NO Aux	1	0	\$19.95
	NC1D1201 - V	LC1D1201	LC1D12	NC1-D12 Contactor 12A (Ith=20A) 3 Main + 1NC Aux	0	1	\$19.95
D18	NC1D1810 - V	LC1D1810	LC1D18	NC1-D18 Contactor 18A (Ith=32A) 3 Main + 1NO Aux	1	0	\$27.48
	NC1D1801 - V	LC1D1801	LC1D18	NC1-D18 Contactor 18A (Ith=32A) 3 Main + 1NC Aux	0	1	\$27.48
D25	NC1D2510 - V	LC1D2510	LC1D25	NC1-D25 Contactor 25A (Ith=40A) 3 Main + 1NO Aux	1	0	\$30.06
	NC1D2501 - V	LC1D2501	LC1D25	NC1-D25 Contactor 25A (Ith=40A) 3 Main + 1NC Aux	0	1	\$30.06
D32	NC1D3210 - V	LC1D3210	LC1D32	NC1-D32 Contactor 32A (Ith=50A) 3 Main + 1NO Aux	1	0	\$38.71
D32	NC1D3201 - V	LC1D3201	LC1D32	NC1-D32 Contactor 32A (Ith=50A) 3 Main + 1NC Aux	0	1	\$38.71

Insert the AC control coil voltage of 24, 120 or 240 (example: NC1D0910-V120)

¹⁾ Add an additional NC-F4-11 for cross references to "similar" Telemanique LC1 D09 thru LC1 D32 if the NO & NC auxiliary contact is used.



LR25



LR36

US Breaker- Brand Part #	Telemecanique Cross Reference		Description	Price Each
	Direct	Similar		
LR 25 A01	LR2 D1305	LRD05	.63-1.0A Adjustable Overload Mounts to NC1- D09, D12, D18, D25 or D32 Contactor	\$20.94
LR 25 A1x6	LR2 D1306	LRD06	1.0-1.6A Adjustable Overload Mounts to NC1- D09, D12, D18, D25 or D32 Contactor	\$20.94
LR 25 A2x5	LR2 D1307	LRD07	1.6-2.5A Adjustable Overload Mounts to NC1- D09, D12, D18, D25 or D32 Contactor	\$20.94
LR 25 A04	LR2 D1308	LRD08	2.5-4A Adjustable Overload Mounts to NC1- D09, D12, D18, D25 or D32 Contactor	\$20.94
LR 25 A06	LR2 D1310	LRD10	4-6A Adjustable Overload Mounts to NC1- D09, D12, D18, D25 or D32 Contactor	\$20.94
LR 25 A08	LR2 D1312	LRD12	5.5-8A Adjustable Overload Mounts to NC1- D09, D12, D18, D25 or D32 Contactor	\$20.94
LR 25 A10	LR2 D1314	LRD14	7-10A Adjustable Overload Mounts to NC1- D09, D12, D18, D25 or D32 Contactor	\$20.94
LR 25 A13	LR2 D1316	LRD16	9-13A Adjustable Overload Mounts to NC1- D09, D12, D18, D25 or D32 Contactor	\$21.80
LR 25 A18	LR2 D1321	LRD21	12-18A Adjustable Overload Mounts to NC1- D12, D18, D25 or D32 Contactor	\$21.80
LR 25 A25	LR2 D1322	LRD22	17-25A Adjustable Overload Mounts to NC1- D18, D25 or D32 Contactor	\$21.80
LR 36 A32	LR2 D2353	LRD32	23-32A Adjustable Overload Mounts to NC1-D D32 Contactor	\$27.38