



US Breaker CHNT Brand Motor Starter Protectors (Square D Telemecanique GV2 Replacements)



- ✓ UL508 Listed, CSA C22.2, IEC 60947-2, IEC60947-4-1, and CE Marked
- ✓ Rated 600V UL & 690V IEC Covering Current Ranges From 0.16 to 25A
- ✓ Superior ISO Quality Proven by Multiple Global Standard Certifications
- ✓ 3P Hp Rated Manual Motor Starters Include a Manual Disconnect, CI-10 Ambient Compensated Overload Relay and Instantaneous Magnet Trip in One Compact Unit

Motor Starter Protectors - Series GV NS2 - 0.1 to 25A



GV25NS2



GVNS2MC

US Breaker- Part Number	Telemecanique Cross Ref		Allen-Bradley Cross Ref Similar ¹⁾	Description	Price Each
	Direct	Similar			
GV 25 NS2 Ax16	GV2-M01	GV2-ME01	140M-C2E-A16	0.1 - 0.16 Amp Adjustable Motor Starter Protector UL Listed CI-10	\$32.69
GV 25 NS2 Ax25	GV2-M02	GV2-ME02	140M-C2E-A25	0.16 - 0.25 Amp Adjustable Motor Starter Protector UL Listed CI-10	\$32.69
GV 25 NS2 Ax40	GV2-M03	GV2-ME03	140M-C2E-A40	0.25 - 0.4 Amp Adjustable Motor Starter Protector UL Listed CI-10	\$35.69
GV 25 NS2 Ax63	GV2-M04	GV2-ME04	140M-C2E-A63	0.4 - 0.63 Amp Adjustable Motor Starter Protector UL Listed CI-10	\$35.69
GV 25 NS2 A01	GV2-M05	GV2-ME05	140M-C2E-B10	0.63 - 1 Amp Adjustable Motor Starter Protector UL Listed CI-10	\$35.69
GV 25 NS2 A1x6	GV2-M06	GV2-ME06	140M-C2E-B16	1 - 1.6 Amp Adjustable Motor Starter Protector UL Listed CI-10	\$35.69
GV 25 NS2 A2x5	GV2-M07	GV2-ME07	140M-C2E-B25	1.6 - 2.5 Amp Adjustable Motor Starter Protector UL Listed CI-10	\$35.69
GV 25 NS2 A04	GV2-M08	GV2-ME08	140M-C2E-B40	2.5 - 4 Amp Adjustable Motor Starter Protector UL Listed CI-10	\$35.69
GV 25 NS2 A6x3	GV2-M10	GV2-ME10	140M-C2E-B63	4 - 6.3 Amp Adjustable Motor Starter Protector UL Listed CI-10	\$35.69
GV 25 NS2 A10	GV2-M14	GV2-ME14	140M-C2E-C10	6 - 10 Amp Adjustable Motor Starter Protector UL Listed CI-10	\$37.69
GV 25 NS2 A14	GV2-M16	GV2-ME16	140M-C2E-C16(10-16A)	9 - 14 Amp Adjustable Motor Starter Protector UL Listed CI-10	\$37.69
GV 25 NS2 A18	GV2-M20	GV2-ME20	140M-C2E-C20(14.5-20A)	13 - 18 Amp Adjustable Motor Starter Protector UL Listed CI-10	\$37.69
GV 25 NS2 A23	GV2-M21	GV2-ME21	140M-C2E-A25(18-25A)	17 - 23 Amp Adjustable Motor Starter Protector UL Listed CI-10	\$37.69
GV 25 NS2 A25	GV2-M22	GV2-ME22	140M-C2E-C25(18-25A)	20 - 25 Amp Adjustable Motor Starter Protector UL Listed CI-10	\$37.69

¹⁾ Allen-Bradley cross referenced model numbers have a rotary on/off handle instead of push buttons.

Accessories for Series GV NS2 Starters



GVNS2AE



GVNS2AU

US Breaker- Part Number	Telemecanique Cross Ref		Description	Price Each
	Direct	Similar		
GV NS2 AE11	GV2-AE11	GV-AE11	1NO/1NC Top Mount Aux Cont (Ui=250V, Ith=2.5A, AC15=120VA) for all GV25NS2	\$7.29
GV NS2 AE20	GV2-AE20	GV-AE20	2NO Top Mount Aux Cont (Ui=250V, Ith=2.5A, AC15=120VA) for all GV25NS2	\$7.29
GV NS2 AU11	GV2-AN11	GV-AN11	1NO/1NC Side Mount Aux Cont (Ui=690V, Ith=6A, AC15=720VA) for all GV25NS2	\$9.99
GV NS2 AU20	GV2-AN20	GV-AN20	2NO Side Mount Aux Cont (Ui=690V, Ith=6A, AC15=720VA) for all GV25NS2	\$9.99
GV NS2 UV110	GV2-AU116	GV-AU115	GV NS2 - 127Vac Under Voltage Trip 60hz for all GV25NS2	\$16.90
GV NS2 SH110	GV2-AS116	GV-AS115	GV NS2 - 127Vac Shunt Trip 60hz for all GV25NS2	\$16.90
GV NS2 SH220	GV2-AS226	GV-AS226	GV NS2 - 240Vac Shunt Trip 60hz for all GV25NS2	\$16.90
GV NS2 FA1001	GV2-AD1001	GV-AD1001	GV NS2 1NO Fault Signal Contact + 1NC Auxiliary Contact for all GV25NS2	\$11.95
GV NS2 FA1010	GV2-AD1010	GV-AD1010	GV NS2 1NO Fault Signal Contact + 1NO Auxiliary Contact for all GV25NS2	\$11.95
GV NS2 FA0110	GV2-AD0110	GV-AD0110	GV NS2 1NC Fault Signal Contact + 1NO Auxiliary Contact for all GV25NS2	\$11.95
GV NS2 FA0101	GV2-AD0101	GV-AD0101	GV NS2 1NC Fault Signal Contact + 1NC Auxiliary Contact for all GV25NS2	\$11.95
GV NS2 MC	GV2-MC02	GV2-MC02	GV NS2 IP55 Waterproof Enclosure for all GV25NS2	\$19.95
GV NS2 MC01	-	-	GV NS2 IP55 Waterproof Enclosure with Emergency Stop Pushbutton for all GV25NS2	\$23.93

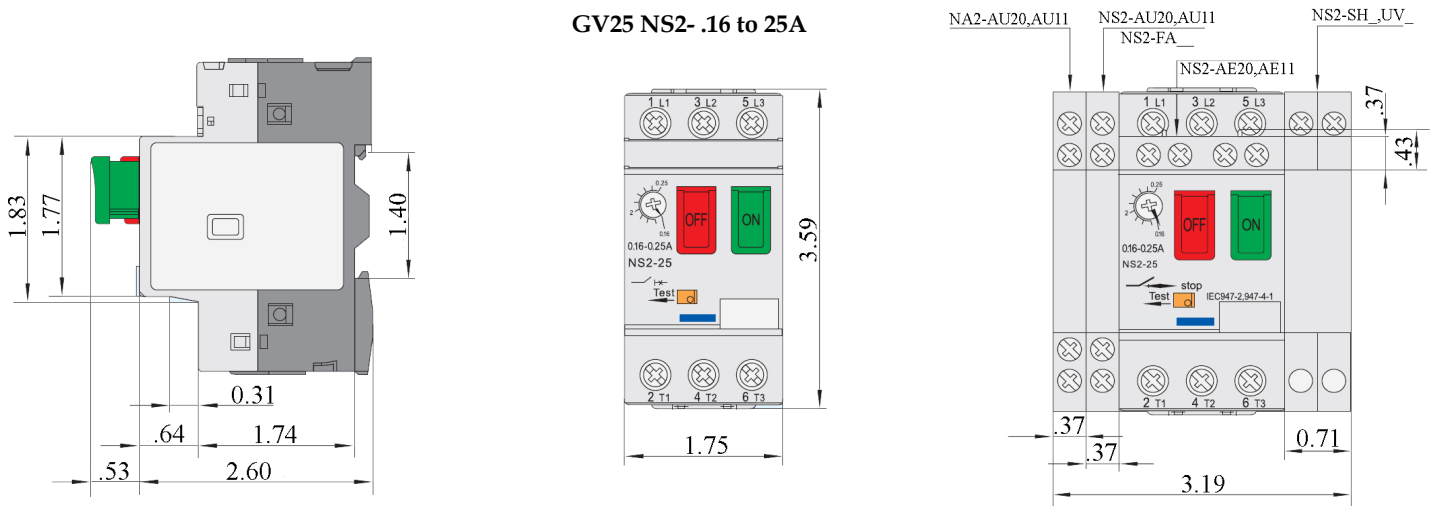
Starter Technical Data

GV 25 NS2 Amps	-Ax16	-Ax25	-Ax40	-Ax63	-A01	-A1x6	-A2x5	-A04	-A6x3	-A10	-A14	-A18	-A23	-A25	
Thermal Setting	-	.1 - .16 A	.16 - .25 A	.25 - .4 A	.4 - .63 A	.63 - 1 A	1 - 1.6 A	1.6 - 2.5 A	2.5 - 4 A	4 - 6.3 A	6 - 10 A	9 - 14 A	13 - 18 A	17 - 23 A	20 - 25 A
Maximum UL Hp Rating - 1Ph	115V	-	-	-	-	-	-	-	1/8 Hp	1/4 Hp	1/2 Hp	3/4 Hp	1 Hp	1 1/2 Hp	2 Hp
	230V	-	-	-	-	-	1/10 Hp	1/6 Hp	1/3 Hp	1/2 Hp	1 1/2 Hp	2 Hp	3 Hp	3 Hp	3 Hp
Maximum UL Hp Rating - 3Ph	200V	-	-	-	-	-	-	1/2 Hp	3/4 Hp	1 1/2 Hp	2 Hp	3 Hp	5 Hp	5 Hp	5 Hp
	230V	-	-	-	-	-	-	1/2 Hp	1 Hp	1 1/2 Hp	3 Hp	3 Hp	5 Hp	7 1/2 Hp	7 1/2 Hp
	460V	-	-	-	-	1/2 Hp	3/4 Hp	1 Hp	2 Hp	3 Hp	5 Hp	10 Hp	10 Hp	15 Hp	15 Hp
	575V	-	-	-	-	1/2 Hp	1 Hp	1 1/2 Hp	3 Hp	5 Hp	7 1/2 Hp	10 Hp	15 Hp	20 Hp	20 Hp
Short Circuit Icu (x1000)	IEC-230V	100	100	100	100	100	100	100	100	100	100	100	50	50	
	IEC-500V	100	100	100	100	100	100	100	100	50	10	6	6	4	
	UL-600V	5	5	5	5	5	5	5	5	5	5	5	5	5	

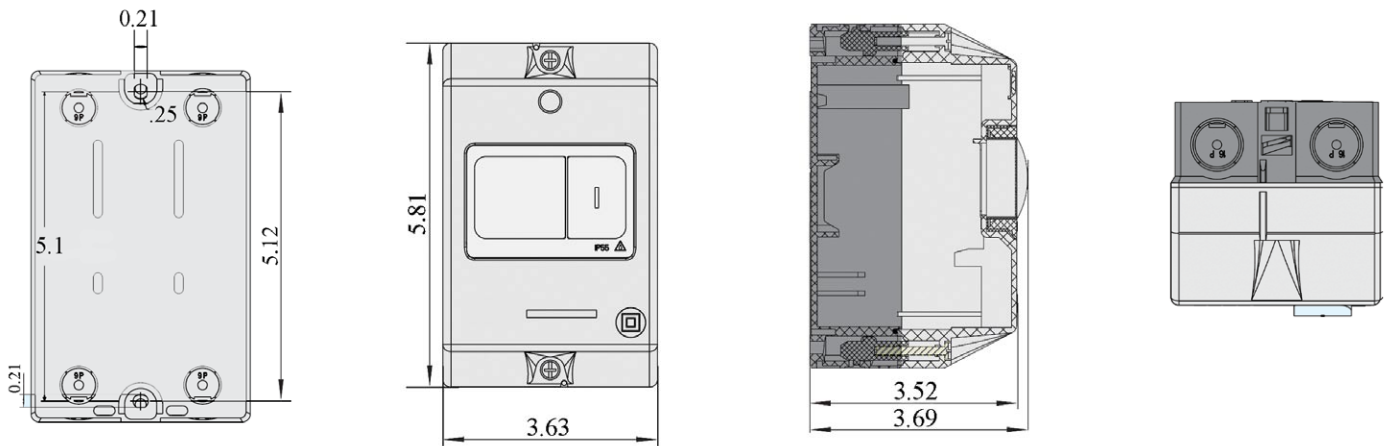


Starter Dimensions (in.)

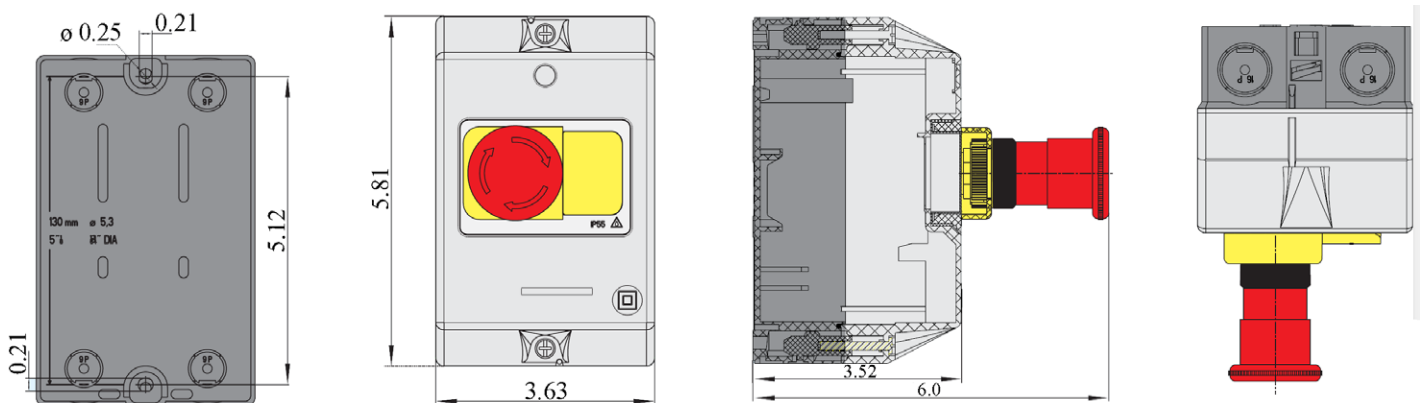
GV25 NS2- .16 to 25A



Enclosure GV NS2 MC



Enclosure GV NS2 MC01



- Telemecanique part numbers are provided to assist product selection. Proper engineering evaluation is required for each customer application.
- Series GV NS2 accessories are intended and UL listed for use with series GV NS2 starters.