



New Telemecanique LC1D65004 or LC1D40004 Contactor Replacement - Data Sheet for US Breaker Brand Contactors with the Trusted UL Certification!



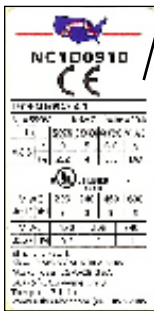
NC1 D65 04

- ✓ Standards: UL508, CSA C22.2, IEC 60947, and CE Marked
- ✓ Integral DIN Rail & Base Mounting in One Compact Footprint
- ✓ Superior ISO Quality Proven by Multiple Global Standard Certifications

Telemecanique LC1D65004 & LC1D40004 Replacement Cross Reference

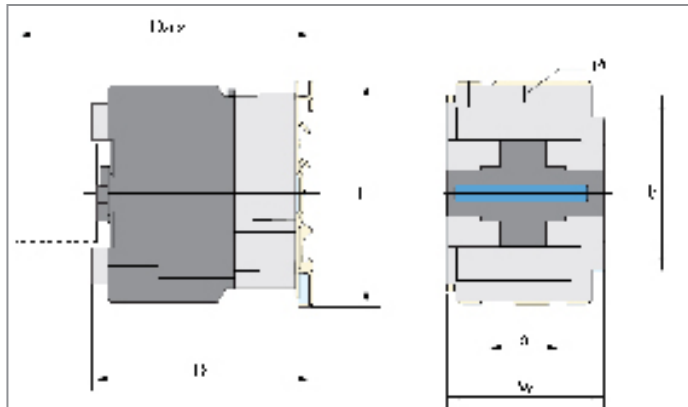
US Breaker- Brand Part #	Telemecanique Contactor Cross Ref		Control Coil Voltage	Main Contacts		Price Each
	Direct	Direct		NO	NC	
NC1 D65 04 - V24	LC1D65004 - B7	LC1D40004 - B7	24V B7	4	0	\$89.00
NC1 D65 04 - V120	LC1D65004 - G6	LC1D40004 - G6	120V G6	4	0	\$89.00
NC1 D65 04 - V240	LC1D65004 - U6	LC1D40004 - U6	240V U6	4	0	\$89.00

NC1 D65 Contactor Technical



NC1D Type	NC1-D65	
Thermal Current I _{th} (AC-1 IEC) Amps	660V	80
Inductive Current (AC-3 IEC) Amps	240V	25
	460V	40
	600V	40
UL Power Rating 3 Phase (Hp)	120V	5
	240V	15
IEC Power Rating (KW)	380/400V	30
	Elec.	800,000
Operations (AC-3)	Mech.	8,000,000

NC1 D65 Contactor Dimensions



NC1D Dim (in)	H	W	D	Daux	a	b	Ø
NC1 D6504 & D6508	5.1	3.3	4.6	6.1	1.6	3.9	0.26

NC1 D65 Contactor Coil Data

Coil Power	NC1D Type		NC1-D65
	Start-up (VA)	Holding (VA)	
Operation Range of Rated Voltage	Pick-up Voltage	85% - 100%	20% - 75%
	Drop-out Voltage		

Accessories for NC1 D95 Contactors



Auxiliary Contacts

US Breaker- Part #	Telemecanique Cross Ref
NC F4 20	LA1DN 20
NC F4 11	LA1DN 11
NC F4 02	LA1DN 02
NC F4 40	LA1DN 40
NC F4 31	LA1DN 31
NC F4 04	LA1DN 04
NC F4 22	LA1DN 22
NCF1 11C	LA8DN 11

Time Delay Blocks

US Breaker- Part #	Telemecanique Cross Ref
NC F5 T2	LA2DT2
NC F5 D2	LA3DR2

Mechanical Interlocks

US Breaker- Part #	Telemecanique Cross Ref
NC MI 80 95a	LA9D80978

- Telemecanique part numbers are provided to assist in product selection. Proper engineering evaluation is required for each customer application.
- NC accessories are intended and UL listed for use with their associated NC1D & series F NC2 contactors