



## New Telemecanique LC1-F400 ( LC1F400 ) Contactor Replacement - Data Sheet for US Breaker Brand Contactors with the Trusted UL Certification!

✓ UL Listed: Quality Proven through Global Certifications including Underwriters Laboratory



F400-P3

### Telemecanique LC1F400 Contactor Replacement Cross Reference

Size Ref	US Breaker- Part #	Telemecanique Cross Reference		Description	Price Each
		Direct	Direct		
F400	F400 P3 V120	LC1F400 - G6	LC1-F400 - G6	3 Pole Contactor 400A (Ith=400A) with 120Vac Coil	\$638.40
F400	F400 P3 V240	LC1F400- U6	LC1-F400 - U6	3 Pole Contactor 400A (Ith=400A) with 240Vac Coil	\$638.40
F400	F400 P3 V480	LC1F400 - T6	LC1-F400 - T6	3 Pole Contactor 400A (Ith=400A) with 480Vac Coil	\$638.40

### Series F Contactor Technical Data

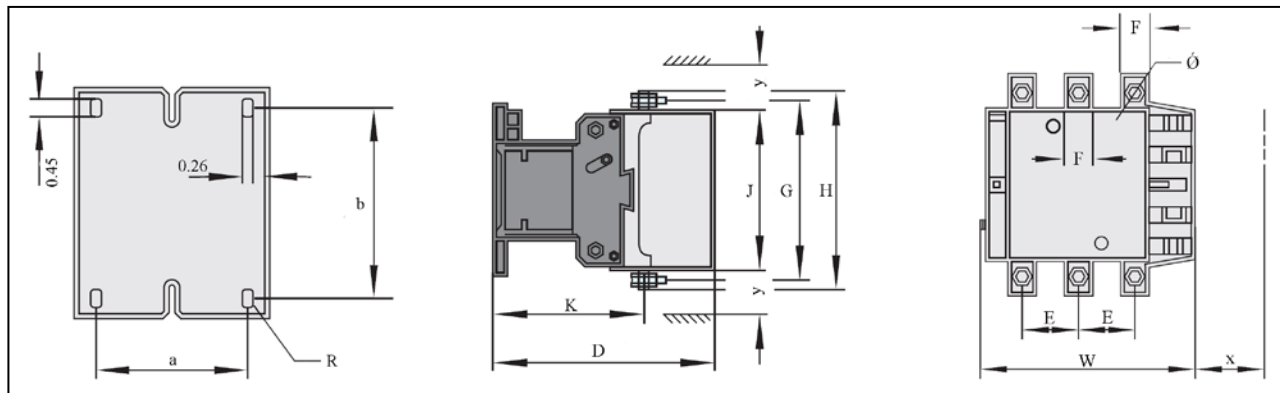
Series F Type	F115	F150	F185	F265	F330	F400	
Thermal Current Ith (AC-1) Amps	660V 200	200	275	315	380	450	
Inductive Current IEC (AC-3) Amps	400V 115	150	185	265	330	400	
UL Power Rating (Hp)	240V 40	50	60	100	125	150	
	460V 75	100	100	150	200	250	
	600V 75	100	100	150	200	300	
IEC Power (KW)	400V 55	75	90	132	160	200	
Operations	Elec.	1,200,000	1,200,000	1,000,000	800,000	800,000	800,000
	Mech.	10,000,000	10,000,000	6,000,000	6,000,000	6,000,000	6,000,000



### Series F Contactor Coil Data

Series F Type		F115	F150	F185	F265	F330	F400
Coil Power	Start-up (VA)	660	660	966	840	1500	1500
	Holding (VA)	60	60	75	100	10	20
Operation Range of Rated Voltage	Pick-up Voltage	85% - 110%					
	Drop-out Voltage	20% - 75%					

### Series F Contactor Dimensions



3P Dim (in)	H	W	D	E	F	G	J	K	a	b	x	y <500V	y >500V	Ø - Bolt	Torque
F400	8.2	8.5	8.7	1.9	1.0	7.1	6.2	5.7	3.1	6.7-7.1	5.8	0.4	0.6	M10	10 N•M

### Auxiliary Contacts

US Breaker- Part #	Telemecanique Cross Ref
NC F4 20	LA1DN 20
NC F4 11	LA1DN 11
NC F4 02	LA1DN 02
NC F4 40	LA1DN 40
NC F4 31	LA1DN 31
NC F4 04	LA1DN 04
NC F4 22	LA1DN 22

### Accessories for F400-P3 Contactors



NCF411

NCF422

NCF5

### Time Delay Blocks

US Breaker- Part #	Telemecanique Cross Ref
NC F5 T2	LA2DT2
NC F5 D2	LA3DR2

- Telemecanique part numbers are provided to assist in product cross reference selection. Proper engineering evaluation is required for each customer application.
- NC accessories are intended and UL listed for use with their associated NC1D & series F contactors.