



US Breaker CHNT Brand Definite Purpose DP Contactors (Square D Nema DP Replacements)

- ✓ Standards: UL508 Recognized Component (US & Canada)
- ✓ Industry Standard Mounting Base Simplifies Replacement
- ✓ Superior Quality Through ISO Certified Manufacturing and Testing



D40NCK3 P1



D40NCK3 P2



D40NCK3 P3



D60NCK3 P3

Definite Purpose Contactors - Series D NCK (DP) - 110/120Vac Control Coil

Poles	Amp Size	US Breaker- Part Number	Cross Reference				Description	Price Each
			Tyco (Prod Un)	Siemens	Square D	GE		
1P	40	D40 NCK3 P1 V120	3100-15T19	45GG10AFA	8910DP41V02	-	DP Contactor 1P + Shunt 40A	\$7.23
	30	D30 NCK3 P2 V120	3100-20T6	45EG20AF	8910DP32V02	CR453CC2AAA	DP Contactor 2P 30A	\$9.49
2P	40	D40 NCK3 P2 V120	3100-20T18	45GG20AF	8910DP42V02	CR453CE2ABB	DP Contactor 2P 40A	\$10.99
	25	D25 NCK3 P3 V120	3100-30T8	42AF35AF	8910DPA23V02	CR453AB2AAA	DP Contactor 3P 25A	\$15.89
3P	40	D40 NCK3 P3 V120	3100-30T10	42CF35AF	8910DPA43V02	CR453AD2AAA	DP Contactor 3P 40A	\$18.39
	60	D60 NCK3 P3 V120	3100-30T17	42EF35AF	8910DPA63V02	CR453FF2AAA	DP Contactor 3P 60A	\$31.54

Definite Purpose Contactors - Series D NCK (DP) - 24Vac Control Coil

Poles	Amp Size	US Breaker- Part Number	Cross Reference				Description	Price Each
			Tyco (Prod Un)	Siemens	Square D	GE		
2P	30	D30 NCK3 P2 V24	3100-20Q6	45EG20AJ	8910DP32V14	CR453CC2HAA	DP Contactor 2P 30A	\$9.49
	40	D40 NCK3 P2 V24	3100-20Q18	45GG20AJ	8910DP42V14	CR453CE2HBB	DP Contactor 2P 40A	\$10.99
3P	25	D25 NCK3 P3 V24	3100-30Q8	42AF35AJ	8910DPA23V14	CR453AB2HAA	DP Contactor 3P 25A	\$15.89
	40	D40 NCK3 P3 V24	3100-30Q10	42CF35AJ	8910DPA43V14	CR453AD2HAA	DP Contactor 3P 40A	\$18.39

Definite Purpose Contactors - Series D NCK (DP) - 220/240Vac Control Coil

Poles	Amp Size	US Breaker- Part Number	Cross Reference				Description	Price Each
			Tyco (Prod Un)	Siemens	Square D	GE		
2P	30	D30 NCK3 P2 V240	3100-20U6	45EG20AG	8910DP32V09	CR453CC2BAA	DP Contactor 2P 30A	\$9.49
	40	D40 NCK3 P2 V240	3100-20U18	45GG20AG	8910DP42V09	CR453CE2BBB	DP Contactor 2P 40A	\$10.99
3P	25	D25 NCK3 P3 V240	3100-30U8	42AF35AG	8910DPA23V09	CR453AB2BAA	DP Contactor 3P 25A	\$15.89
	40	D40 NCK3 P3 V240	3100-30U10	42CF35AG	8910DPA43V09	CR453AD2BAA	DP Contactor 3P 40A	\$18.39
3P	60	D60 NCK3 P3 V240	3100-30U17	42EF35AG	8910DPA63V09	CR453FF2BAA	DP Contactor 3P 60A	\$31.54

DP Contactor Technical Data

Number of Poles & Amp Size		1 Pole		2 Pole		3 Pole	
		40A	30A	40A	25A	40A	60A
Resistive Current (A)	600V	50	40	50	32	50	75
Full Load Amps (A)	240/277V	40	30	40	25	40	60
	480V	32	25	32	20	32	40
Locked Rotor Amps (A)	240/277V	240	200	240	150	240	360
	480V	200	150	200	110	150	214
Horse Power (Hp)	240/277V	-	-	-	-	-	20
	480V	-	-	-	-	-	30

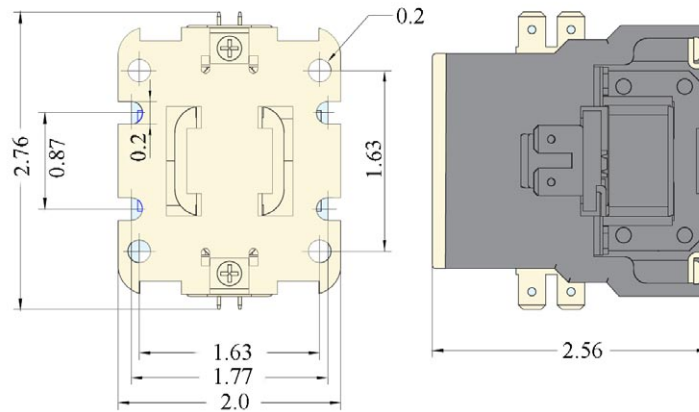
DP Contactor Coil Characteristics

Number of Poles & Amp Size		1 Pole		2 Pole		3 Pole	
		40A	30A	40A	25A	40A	60A
Power Consumption (VA)	Inrush	55	55	55	51	51	83
	Holding	13	13	13	12	12	6
Operating Range (V)	Pick Up	85 - 110%					
	Drop Out	20 - 65%					

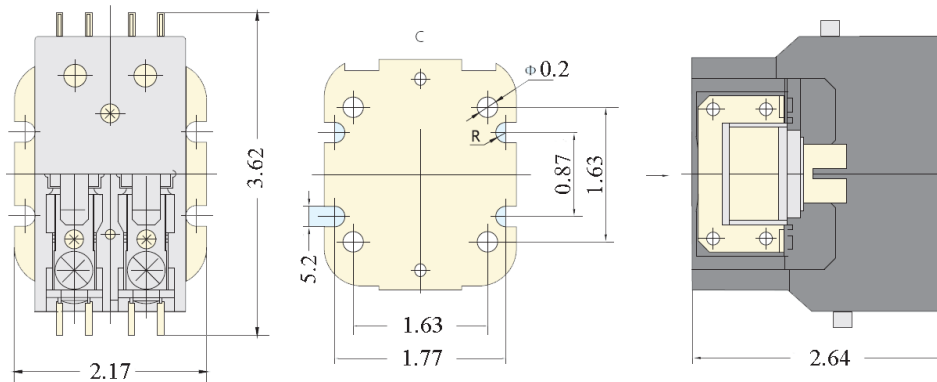


DP Contactor Dimensions (in.)

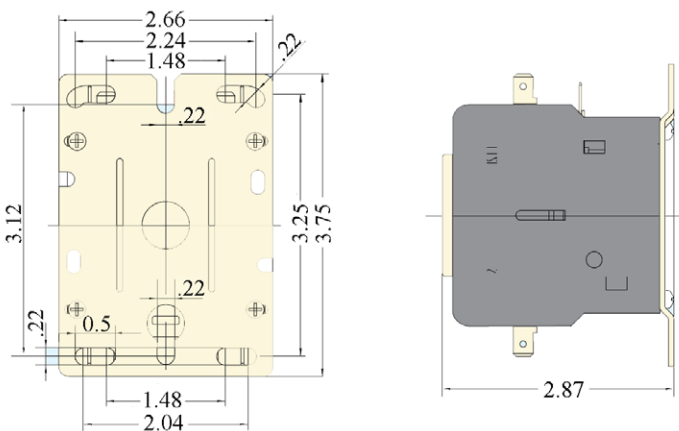
1 Pole 25 - 40A



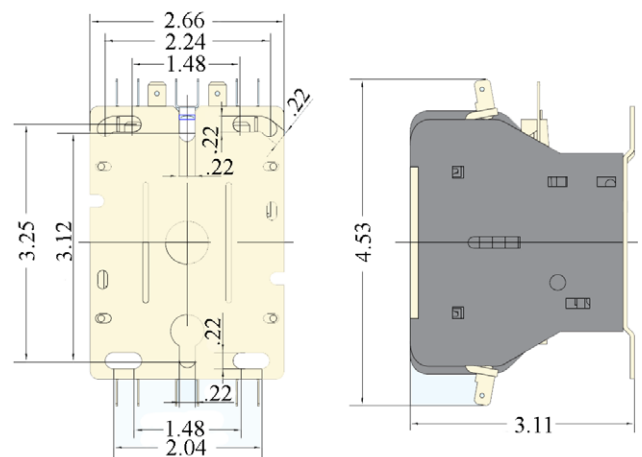
2 Pole 25 - 40A



3 Pole 25 - 40A



3 Pole 50 - 60A



- Manufacturer cross references are provided to assist in product selection. Proper engineering evaluation is required for each customer application.
- Series D NCK definite purpose contactors are UL recognized components.