



## New Telemecanique LC1-D50-11 ( LC1D5011 ) Contactor Replacement - Data Sheet for US Breaker Brand Contactors with the Trusted UL Certification!



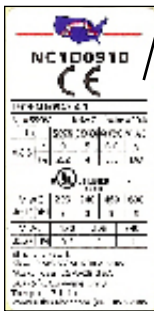
NC1 D50 11

- ✓ Standards: UL508, CSA C22.2, IEC 60947, and CE Marked
- ✓ Integral DIN Rail & Base Mounting in One Compact Footprint
- ✓ Superior ISO Quality Proven by Multiple Global Standard Certifications

### Telemecanique LC1D5011 Contactor Replacement Cross Reference

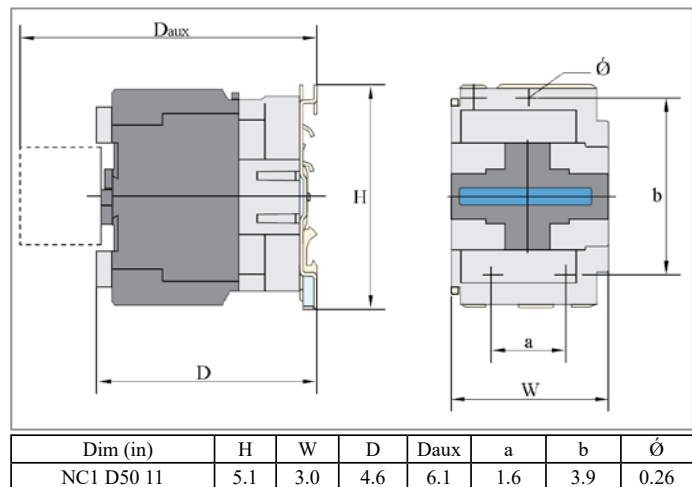
US Breaker-Brand Part #	Telemecanique Contactor Cross Ref		Control Coil Voltage	Auxiliaries		Price Each
	Direct	Direct		NO	NC	
NC1 D50 11 - V24	LC1D5011 - B7	LC1-D50-11 - B7	24V B7	1	1	\$59.53
NC1 D50 11 - V120	LC1D5011 - G6	LC1-D50-11 - G6	120V G6	1	1	\$59.53
NC1 D50 11 - V240	LC1D5011 - U6	LC1-D50-11 - U6	240V U6	1	1	\$59.53

### NC1 D50 Contactor Technical Data



NC1D Type	NC1-D50	
Thermal Current I <sub>th</sub> (AC-1 IEC) Amps	660V	80
Inductive Current (AC-3 IEC) Amps	240V	20
	460V	30
	600V	30
UL Power Rating 3 Phase (Hp)	120V	5
	240V	10
IEC Power Rating (KW)	380/400V	22
Operations (AC-3)	Elec.	800,000
	Mech.	8,000,000

### NC1 D50 Contactor Dimensions (in.)



### NC1 D50 Contactor Coil Data

NC1D Type		NC1-D50
Coil Power	Start-up (VA)	200
	Holding (VA)	20
Operation Range of Rated Voltage	Pick-up Voltage	85% - 100%
	Drop-out Voltage	20% - 75%

### Accessories for NC1 D50 11 Contactors



NC1F411



NC1F422



NCF111C



NCSR2A



NC1F5



NC1MI0932a

### Auxiliary Contacts

US Breaker-Part #	Telemecanique Cross Ref
NC F4 20	LA1DN 20
NC F4 11	LA1DN 11
NC F4 02	LA1DN 02
NC F4 40	LA1DN 40
NC F4 31	LA1DN 31
NC F4 04	LA1DN 04
NC F4 22	LA1DN 22
NCF1 11C	LA8DN 11

### Time Delay Blocks

US Breaker-Part #	Telemecanique Cross Ref
NC F5 T2	LA2DT2
NC F5 D2	LA3DR2

### Mechanical Interlocks

US Breaker-Part #	Telemecanique Cross Ref
NC MI 40 65a	LA9D50978

- Telemecanique part numbers are provided to assist in product selection. Proper engineering evaluation is required for each customer application.
- NC accessories are intended and UL listed for use with their associated NC1D & series F NC2 contactors